



GENUINE PARTS

INSTALLATION INSTRUCTIONS

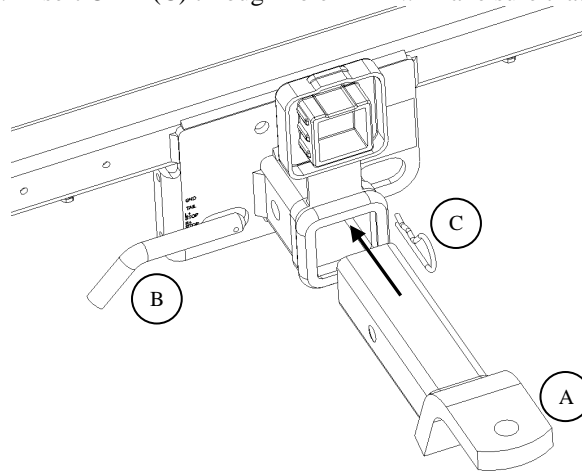
1. **DESCRIPTION:** BALL MOUNT KIT
2. **APPLICATION:** SEE DEALER APPLICATION CHART
3. **PART NUMBER:** 999T5 CU020
NOTE: Installation of this accessory requires installation of additional Nissan Genuine Part(s):
- WIRE HARNESS (999T8 CU000)
 - HITCH KIT (999T5 CU010)
 - CLASS II HITCH BALL (999T5 VT020)

4. **KIT CONTENTS:**

Item	QTY	Description
A	1	BALL MOUNT
B	1	PIN
C	1	CLIP

5. **INSTALLATION PROCEDURE:**

Insert BALL MOUNT (A) into receiver opening. Align holes on receiver tube with holes on ball mount and slide PIN (B) through opening. Insert CLIP (C) through hole in PIN. Make sure that CLIP is securely fastened.



6. **CAUTIONS / NOTES:**

This product complies with SAE J684 V-2

NOTE: REFER TO OWNERS MANUAL FOR TOWING CAPACITY

CAUTION

- Vehicle towing capacity may differ from hitch rating